

## FEATURES

- AC DIMMER
- AC Input: 230V AC
- Command BUS: DALI
- Local command option:
  - N.O. Push Button
- 1 output at 400W max
- Output channel for R-C loads
- Adjusting the brightness
- Single channel dimmer output phase-cut (trailing edge) for LED Lamp dimmable and Halogen Lamp dimmable
- Typical efficiency > 95%
- Memory function, minimum value of dimming adjustable
- Possibility to set the minimum level
- Optimized output curve
- Soft start and soft stop

## ➤ APPLICATION: Dimmer and phase-cut – Trailing Edge

| CODE            | Supply Voltage | Output                    | Channel | Local Command                |
|-----------------|----------------|---------------------------|---------|------------------------------|
| DAC230-1CH-DALI | 100 - 230VAC   | 1 x 400W max <sup>1</sup> | 1       | N° 1 N.O. Push Button - DALI |

Memory Function: memorize the last minimum level of the device in case of power-off.

L'AC Dimmer is a single channel dimmer output phase-cut and adjusting the brightness of dimmable LED Lamp dimmable halogen lamp and AC phase-cut power supply.

## ➤ TECHNICAL SPECIFICATIONS

|                            |                             | Variant                                                           |                   |
|----------------------------|-----------------------------|-------------------------------------------------------------------|-------------------|
|                            |                             | Constant Voltage                                                  |                   |
| INPUT                      | Voltage Range               | 100 ... 240 Vac                                                   |                   |
|                            | Mains Frequency             | 50Hz                                                              |                   |
|                            | Efficiency <sup>2</sup>     | >95%                                                              |                   |
|                            | Power loss in stand by mode | <500mW                                                            |                   |
| OUTPUT                     | Nominal Output Voltage      | 100 ... 240 Vac                                                   |                   |
|                            | Nominal Output Current      | Led Load                                                          | Incandescent Load |
|                            |                             | max 0.8A                                                          | max 1.5A          |
|                            | Type of Load                | R+C                                                               |                   |
|                            | Minimum load power          | 5 W                                                               |                   |
| Nominal Power <sup>3</sup> | Led Load                    | Incandescent Load                                                 |                   |
|                            | 200W <sup>4</sup>           | 400W <sup>4</sup>                                                 |                   |
| DIMMING                    | Dimming method              | Trailing Edge                                                     |                   |
|                            | Dimming Range <sup>5</sup>  | 1 – 100%                                                          |                   |
| ENVIROMENTAL               | Storage Temperature         | min: -40 max: +60 °C                                              |                   |
|                            | Ambient Temperature         | min: -10 max: +40 °C                                              |                   |
|                            | Protection Grade            | IP20                                                              |                   |
|                            | Wiring                      | 2.5mm <sup>2</sup> solid – 2.5mm <sup>2</sup> stranded -30/12 AWG |                   |
|                            | Wire preparation length     | 6 mm                                                              |                   |
|                            | Mechanical dimensions       | 45.5 x 45 x 20.3 mm                                               |                   |
|                            | Packaging dimensions        | 55 x 55 x 35 mm                                                   |                   |
|                            | Casing material             | Plastic                                                           |                   |
| Weight                     | 45 g                        |                                                                   |                   |

<sup>1</sup> Depends on the type of Load connected

<sup>2</sup> At full load

<sup>3</sup> Maximum value, dependent on ventilation conditions

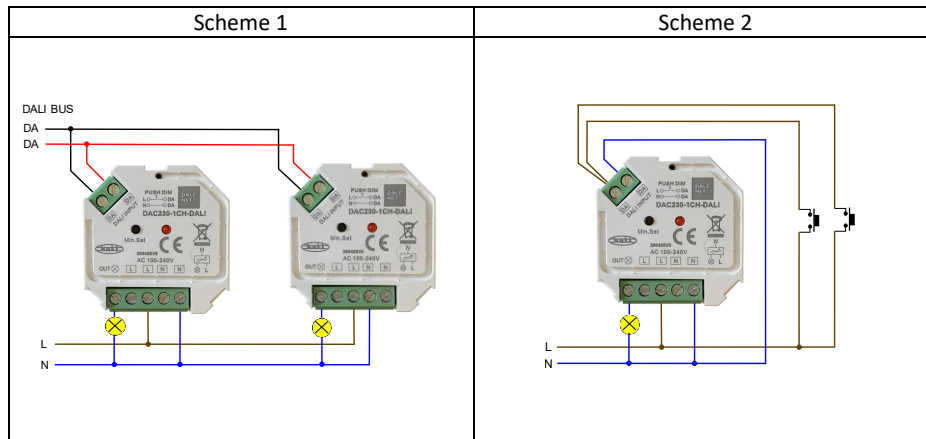
<sup>4</sup> Nominal Power: Led Load 100W@110Vac ; Incandescent Load 200W@110Vac

<sup>5</sup> It depends on the type of lamp connected

## ➤ INSTALLATION

As show in the scheme below, proceed as follows to install the product:

- 1) Installation and maintenance must be performed only by qualified personnel in compliance with current regulations.
- 2) Isolate the mains supply before the installation or adjusting the switches. The external supply must be protected. It is recommended to use a Circuit Breaker with overcurrent protection correctly dimensioned.
- 3) Connect a Fuse into "Line" cable. The fuse must be correctly dimensioned. Connect the table of supply mains to "AC IN" terminal block.
- 4) Connect the DALI command to "DALI INPUT" terminal block.
- 5) Connect the Lamp Load to the "AC OUT" terminal block.



### Note:

The maximum value of fuse is 1,25A.

Power Supply DALI Bus required.

### Attention:

Even in off conditions, output is always connected to the main voltage.

Always remove the mains supply before the installation or maintenance of the product.

## ➤ OPERATION

### Setting DALI Address:

1 DALI for 1 channel output is assigned by DALI Master controller automatically, please refer to user manuals of compatible DALI Masters for specific operations.

### Setting minimum brightness:

Adjust brightness to a level, then press and hold down "Min. Set" key on the dimmer until the light flashes, once set a minimum brightness, the light can only be dimmable between this minimum brightness and maximum brightness.

The dimming range of this dimmer is 1%-100%, but some load types may flicker when dimmed to 1%, thus a minimum brightness shall be set higher than 1% to avoid flickering during dimming process.

### Delete the minimum brightness:

Adjust the brightness to maximum level, then click "Min. Set" key on the dimmer to delete the minimum brightness, the light will flash to indicate successful reset.

### ➤ PUSH DIM:

While connected with PUSH switch, click the button to switch ON/OFF lights. Press and hold down the button to increase/decrease light intensity.

#### ➤ TECHNICAL NOTE

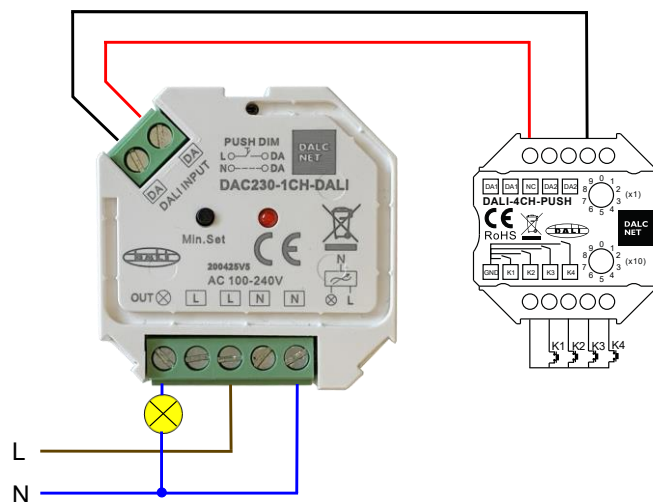
##### Installation:

- Isolate the mains supply before the installation or adjusting the switches. Installation and maintenance must be performed in the absence of AC Voltage.
- Installation and maintenance must be performed only by qualified personnel in compliance with current regulations.
- The product must be installed inside an electrical cabinet protected against overvoltages.
- The external supply must be protected. The product must be protected from Fuse and/or Circuit Breaker with overcurrent protection correctly dimensioned.
- The product must be installed in a vertical or horizontal position with the cover/label upwards or vertically; other positions are not permitted, It is not permitted to bottom-up position (with the cover/label down).
- The use of the product in harsh environments could limit the output power.
- Keep separated the circuits at 230V (LV) and the circuits not SELV from circuits to low voltage (SELV)

##### Command and Output:

- The length of the connection cables between the local commands (N.O. Push button or other) and the product must be less that 30m; the cables must be dimensioned correctly.
- The length of the connection cables between the product and the LED module must be less than 30m; the cables must be dimensioned correctly.

#### ➤ EXAMPLE OF APPLICATION



DAC230-1CH-DALI can be controlled by various DALI master commercially.

For example, it can also be piloted trough ours DALI-4CH-PUSH.

- By correctly powering the DALI BUS;
- Addressing the DAC230-1CH-DALI to the address "0";
- Using the K1 button of the DALI-4CH-PUSH it is possible to switch on / off and dim the LED load connected to the DAC230-1CH-DALI .